

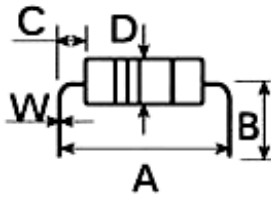
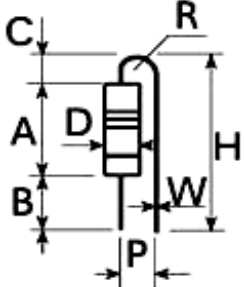
AUTO LEAD FORMING MACHINE



MODEL: LF - 100A

LF – 100A is suitable for Cutting & Forming of Axial components with adjustable lead length. The machine is very suitable for Resistors & Diodes.

Specifications:

Type	U	F
		
A	6-40mm	4-15mm
B	3.6-15mm	1-15mm
C	1.2mm	3mm
D	1.5-8mm	1.5-8mm
W	0.35-1mm	0.35-1mm
H		25mm
P		3-13.5mm

Speed : 30000-50000pcs/hour

Dimension : 400×250×190mm

Weight : 20Kg

CID MACHINES PTE LTD

Block 3014A, Ubi Road 1, #04-07, Kampong Ubi Industrial Estate, Singapore 408703.

E-mail: cidm@cidmpl.com; PH: 65-6848 9456 / **+65-9626 7314**